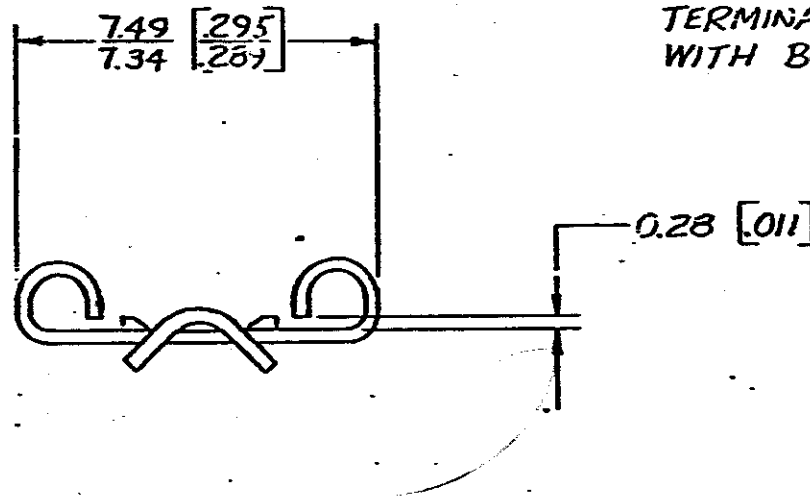
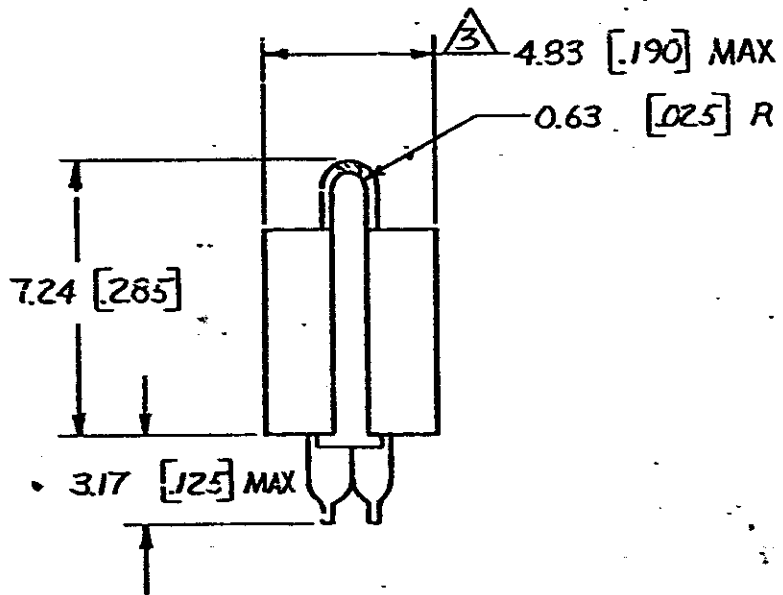


© COPYRIGHT 1978 BY AMP INCORPORATED, HARRISBURG, PA.  
 ALL INTERNATIONAL RIGHTS RESERVED. AMP INCORPORATED PRODUCTS  
 COVERED BY U. S. AND FOREIGN PATENTS AND/OR PATENTS PENDING.

REVISIONS					
REV	ZONE	LTR	DESCRIPTION	DATE	APPROVED
✓	✓	A	REVISED AF-1146	1/24/65	SM/64
✓	✓	B	OBS 62806-1 AF-4436	8/22/88	PMF
✓	✓	C	REV PER AF-4436	9/2/88	PMF/DJB
✓	✓	D	REACTIVATE 62806-1 AF-5992	10/2/81	PMF

1. DIMS IN BRACKETS ARE IN INCHES.
2. TO BE MOUNTED IN  $2.54 \pm 0.05$   
 $[.100 \pm .002]$  DIA HOLE.
3. MAX DIMENSION REFERS TO THE  
 TERMINAL'S COMPRESSED STATE  
 WITH BOTH PADS TOUCHING.



62751-1	62806-1
STRIP NO.	PART NO LOOSE PIECE

**METRIC**

UNLESS OTHERWISE SPECIFIED DIMENSIONS ARE IN <del>MM</del> MM TOLERANCES ON: DECIMALS $\pm 0.38$ [05] ANGLES $\pm$	CONTRACT NO	AMP INCORPORATED Harrisburg, Pa.	
	DR. <i>X. Schaffhauser</i> 8/23/78	NAME P.C.B. RECEPTACLE (250 x .016 SPACE)	
	CHK <i>G. Yetter</i> 8-29-78	SIZE <b>B</b>	CODE IDENT NO <b>00779</b>
	MATERIAL 0.25 [010] THK BRASS	APPRO <i>D. Schwink</i> 8-29-78	DRAWING NO <b>62806</b>
FINISH TIN	APPRO <i>G. Yetter</i> 8-29-78	LOOSE PIECE	SHEET